



PHD CORE

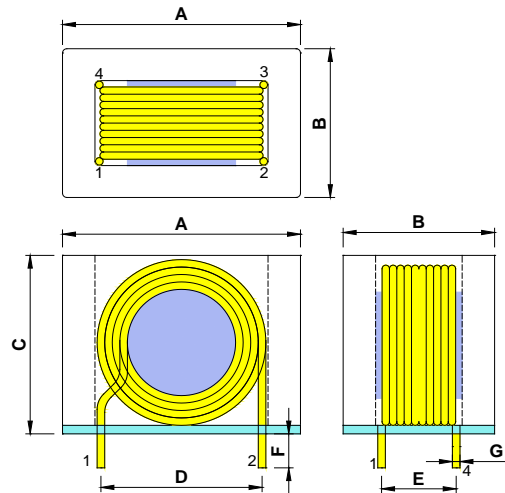
Product series: KA55YA series

Feature

1. Large energy storage capacity
2. Excellent DC bias characteristic

Application

1. Power factor correction (PFC) circuits
2. AC Reactor for inverter
3. Flyback transformer
4. Multiple circuit choke coil
5. Power inductor for large current
6. Buck/Boost inductor for inverter



Configuration

KA 55 Y A - 401 M
 (1) (2) (3) (4) (5) (6)

- (1) Type Code (KA for PHD type)
- (2) Series Code (Typical dimension, 55 is about 55mm diameter)
- (3) Pin location (parallel for "Y")
- (4) Material code
- (5) Inductance: $401 = 40 \times (10^1) = 400 \mu\text{H}$
- (6) Inductance tolerance: M = $\pm 20\%$, L = $\pm 15\%$, K = $\pm 10\%$

Dimension & Electrical Specification

P/N	L0	A	B	C	D	E	F	G	DCR
	Inductance	mm	mm	mm	mm	mm	mm	mm	mΩ
	$\mu\text{H} \pm 20\%$	Max	Max	Max	± 0.5	± 0.5	± 0.4	± 0.1	Max
KA55YA-401M	400	57.0	37.0	44.0	38.0	18.0	5.0	1.3	33.5
KA55YA-102M	1000	57.0	37.0	44.0	38.0	18.0	5.0	1.6	75.0

Inductance Spec & DC Current Characteristics:

