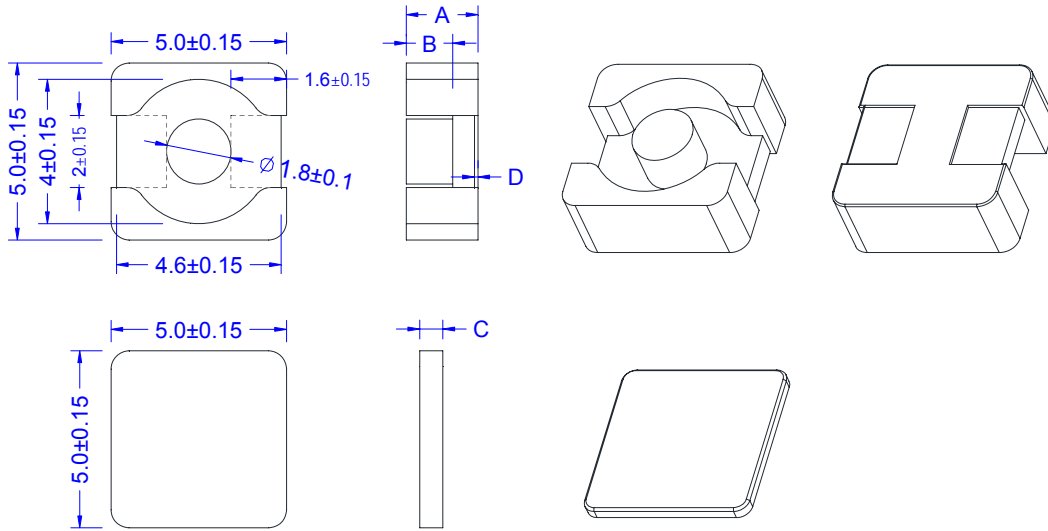




Karson Electronics Co., Ltd.

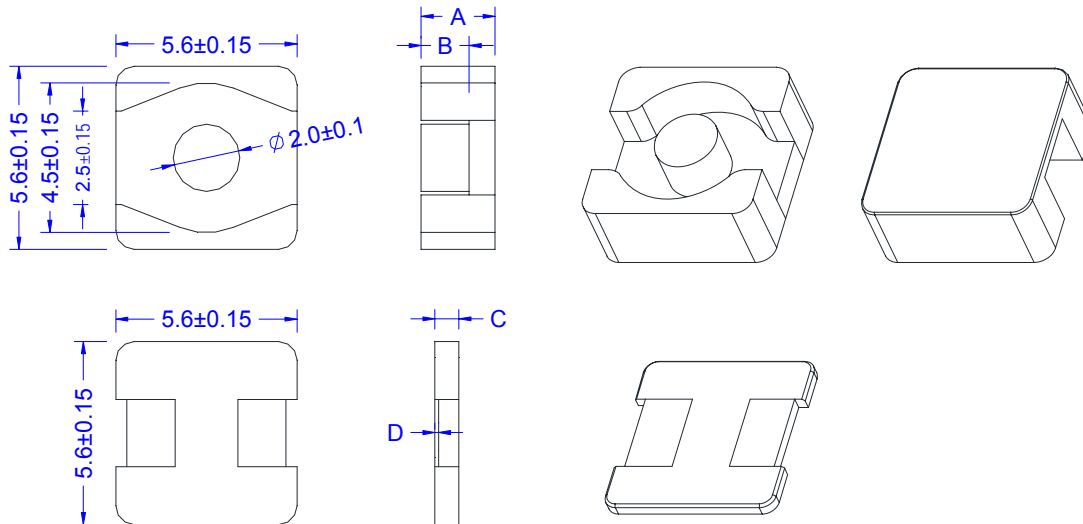
Assembly Type Core For SMD Inductors

Physical dimension (Size: 5.0*5.0mm---180° series)



HT (mm)	E core P/N I core P/N	Physical dimension(mm)				Test wire W(mm)*H(mm)*Ts	Inductance(uH)	
		A (±0.1)	B (Min)	C (±0.1)	D (±0.05)			
2.7	KS00-Y0505EW-2.1AB KS00-Y0505I-0.6AB	2.1	1.2	0.6	0.1	0.8*0.2*3.5	0.3±15% @0A	75%L0A Min@15A
3.1	KS00-Y0505EW-2.5AB KS00-Y0505I-0.6AB	2.5	1.6	0.6	0.1	0.8*0.2*6.5	0.8±15% @0A	0.6±15%@10A

Physical dimension (Size: 5.6*5.6mm---180° series)



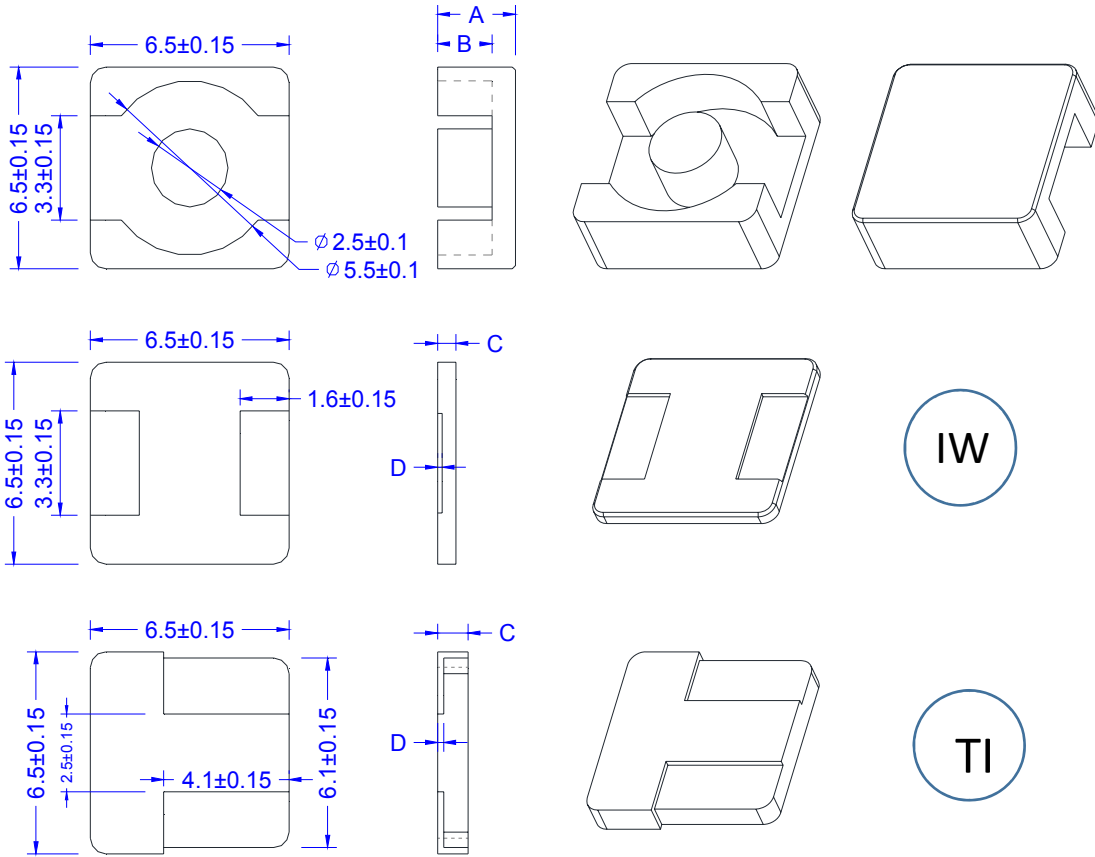
HT (mm)	E core P/N I core P/N	Physical dimension(mm)				Test wire W(mm)*H(mm)*Ts	Inductance(uH)	
		A (±0.1)	B (Min)	C (±0.1)	D (±0.05)			
3.5	KS00-Y0505E-2.5AB KS00-Y0505IW-1.0AB	2.5	1.5	1.0	0.1	0.8*0.25*3.5	0.25±15% @0A	80%L0A Min@20A
4.5	KS00-Y0505E-3.5AB KS00-Y0505IW-1.0AB	3.5	2.5	1.0	0.1	0.8*0.25*5.5	0.6±15% @0A	80%L0A Min@20A



Karson Electronics Co., Ltd.

Assembly Type Core For SMD Inductors

Physical dimension (Size: 6.5*6.5mm---180° series)



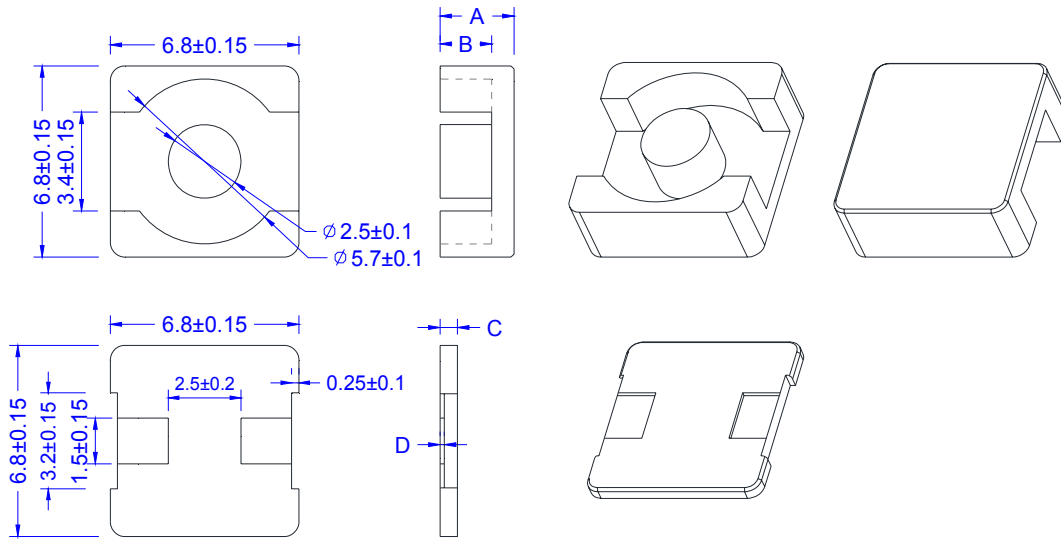
HT (mm)	E core P/N I core P/N	Physical dimension(mm)				Test wire W(mm)*H(mm)*Ts	Inductance(uH)	
		A (±0.1)	B (Min)	C (±0.1)	D (±0.05)			
3.0	KS00-A0606E-2.2AB KS00-A0606IW-0.8AB	2.2	1.3	0.8	0.2	1.2*0.3*2.5	0.2±15% @0A	80%L0A Min@20A
						1.2*0.25*3.5	0.4±15% @0A	80%L0A Min@15A
						1.2*0.2*4.5	0.65±15% @0A	80%L0A Min@10A
3.5	KS00-A0606E-2.5AB KS00-A0606IW-1.0AB	2.5	1.6	1.0	0.2	1.2*0.3*2.5	0.25±15% @0A	85%L0A Min@9A
						1.2*0.25*3.5	0.5±15% @0A	0.4±15%@7A
						1.2*0.2*4.5	0.8±15% @0A	0.65±15%@5A
3.9	KS00-A0606E-2.9AB KS00-A0606IW-1.0AB	2.9	1.9	1.0	0.2	1.2*0.4*2.5	0.2±15% @0A	0.15±15%@18A
						1.2*0.3*3.5	0.4±15% @0A	0.3±15%@15A
						1.2*0.2*4.5	0.6±15% @0A	0.45±15%@12A
4.5	KS00-A0606E-3.4AB KS00-A0606TI-1.1AB	3.4	2.4	1.1	0.2	1.2*0.4*3.5	0.4±15% @0A	0.3±15%@12A
						1.2*0.3*4.5	0.7±15% @0A	0.6±15%@9A



Karson Electronics Co., Ltd.

Assembly Type Core For SMD Inductors

Physical dimension (Size: 6.8*6.8mm---180° series)



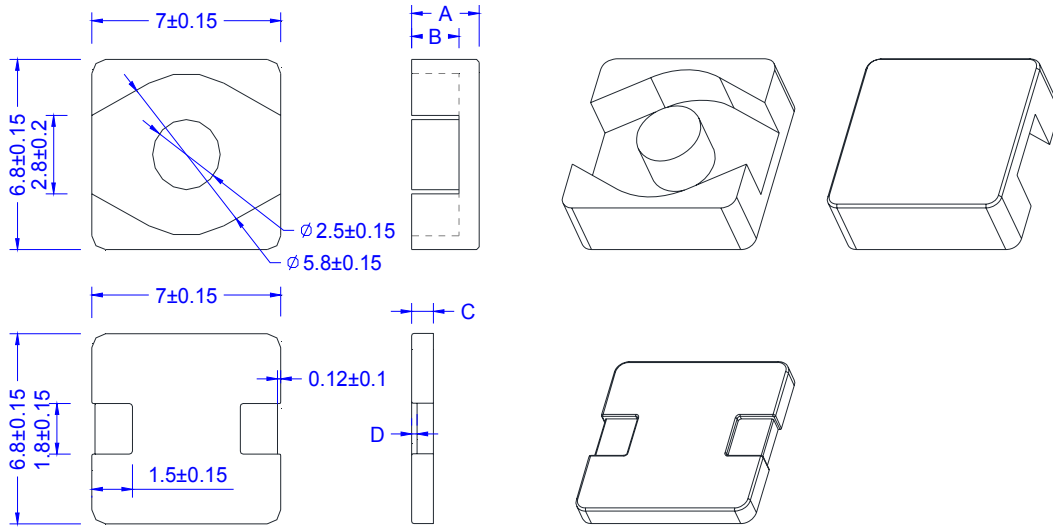
HT (mm)	E core P/N I core P/N	Physical dimension(mm)				Test wire W(mm)*H(mm)*Ts	Inductance(uH)	
		A (±0.1)	B (Min)	C (±0.1)	D (±0.05)			
2.85	KS00-Y0724E-2.05AB KS00-Y07H15W-0.8AB	2.05	1.2	0.8	0.15	1.2*0.15*4.5	0.95±15% @0A	0.75±15%@9.5A
3.8	KS00-Y0724E-3.0AB-1 KS00-Y07H15W-0.8AB	3.0	2.1	0.8	0.15	1.2*0.12*10.5	3.3±15% @0A	2.8±15%@6A
3.8	KS00-Y0724E-3.0AB-2 KS00-Y07H15W-0.8AB	3.0	2.1	0.8	0.15	1.2*0.2*6.5	1.5±15% @0A	1.2±15%@10A
4.65	KS00-Y0724E-3.7AB KS00-Y07H15W- 0.95AB	3.7	2.8	0.95	0.15	1.2*0.3*6.5	1.5±15% @0A	70%L0A Min@11A



Karson Electronics Co., Ltd.

Assembly Type Core For SMD Inductors

Physical dimension (Size: 6.8*7.0mm---180° series)



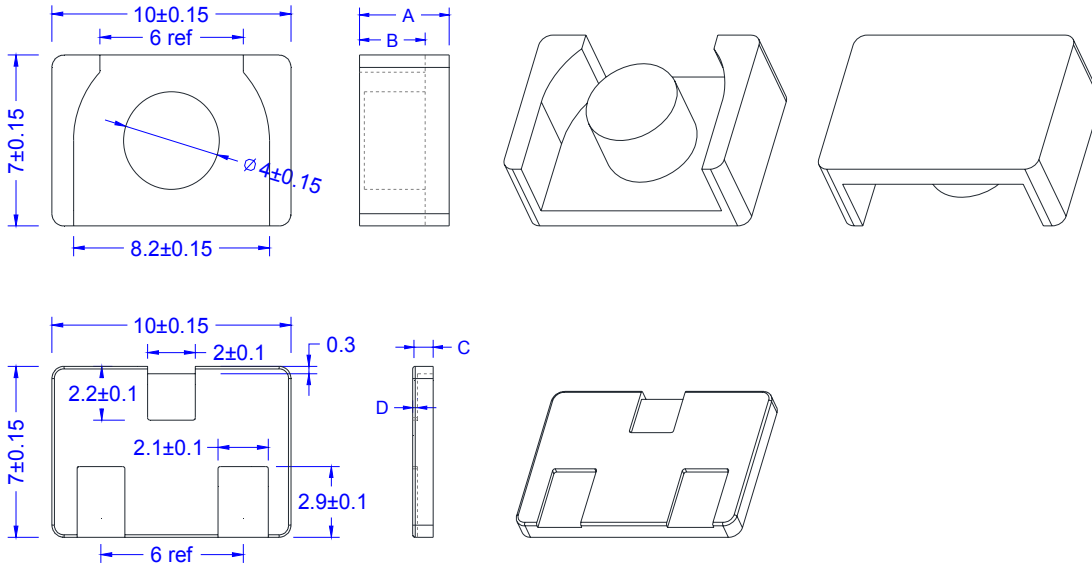
HT (mm)	E core P/N I core P/N	Physical dimension(mm)				Test wire W(mm)*H(mm)*Ts	Inductance(uH)	
		A (±0.1)	B (Min)	C (±0.1)	D (±0.05)			
3.0	KS00-A0707E-2.2AB KS00-A07H3W-0.8AB	2.2	1.3	0.8	0.15	1.2*0.3*4.5	0.68±15% @0A	0.55±15%@25A
						1.2*0.25*6.5	1.0±15% @0A	0.85±15%@24A
						1.2*0.2*8.5	2.2±15% @0A	1.8±15%@13A
4.0	KS00-A0707E-3.2AB KS00-A07H3W-0.8AB	3.2	2.2	0.8	0.15	1.2*0.4*11.5	3.2±15% @0A	80%L0A Min@13A
						1.2*0.3*13.5	4.7±15% @0A	80%L0A Min@10A
						1.2*0.1*17.5	9.8±15% @0A	7.5±15%@5A
4.6	KS00-A0707E-3.8AB KS00-A07H3W-0.8AB	3.8	2.8	0.8	0.15	1.2*0.5*2.5	0.25±15% @0A	80%L0A Min@24A
						1.2*0.4*5.5	0.8±15% @0A	80%L0A Min@18A
						1.2*0.3*7.5	1.5±15% @0A	80%L0A Min@13A



Karson Electronics Co., Ltd.

Assembly Type Core For SMD Inductors

Physical dimension (Size: 7.0*10.0mm---270° series)



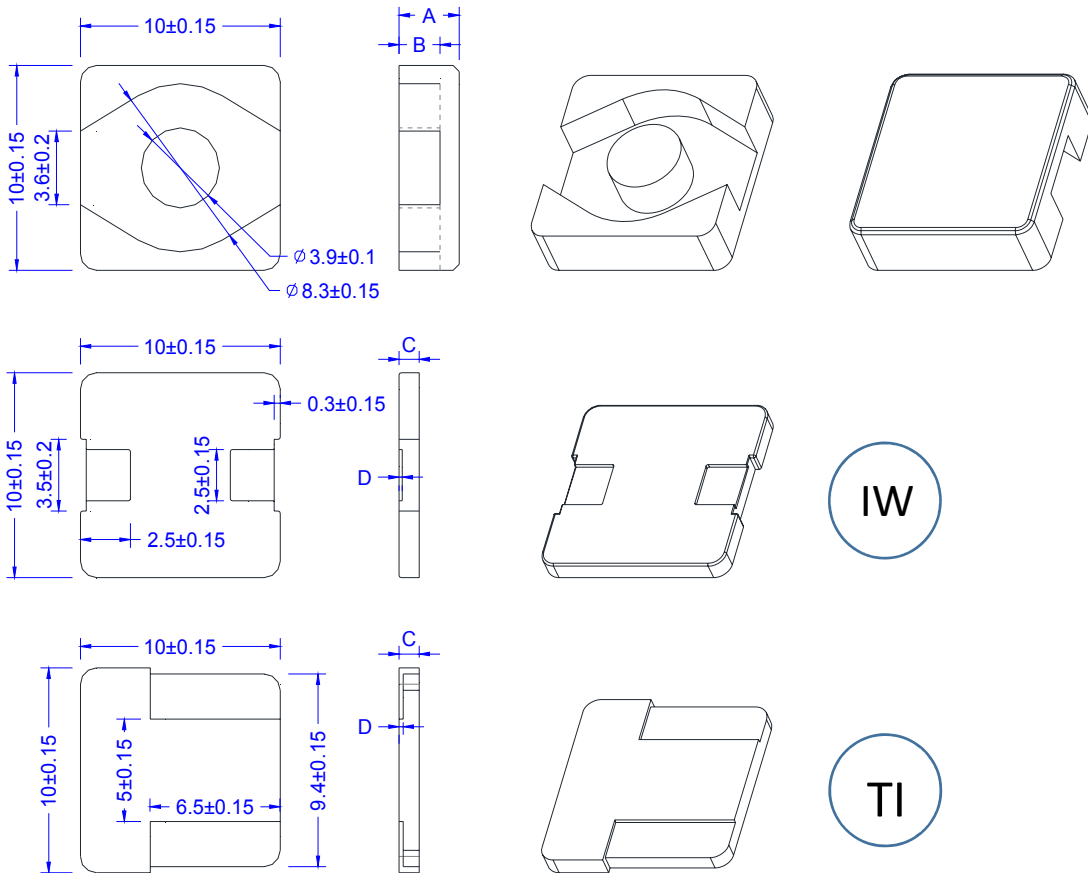
HT (mm)	E core P/N I core P/N	Physical dimension(mm)				Test wire W(mm)*H(mm)*Ts	Inductance(uH)	
		A (±0.1)	B (Min)	C (±0.1)	D (±0.05)			
3.4	KS00-A0710YE-2.5AB KS00-A0710YI-0.9AB	2.5	1.6	0.9	0.20	1.2*0.2*3.75	1.0±15% @0A	0.7uH Min@20A
4.7	KS00-A0710YE-3.8AB KS00-A0710YI-0.9AB	3.8	2.8	0.9	0.20	1.2*0.3*4.75	1.5±15% @0A	0.8uH Min@16A



Karson Electronics Co., Ltd.

Assembly Type Core For SMD Inductors

Physical dimension (Size: 10*10mm---180° series)



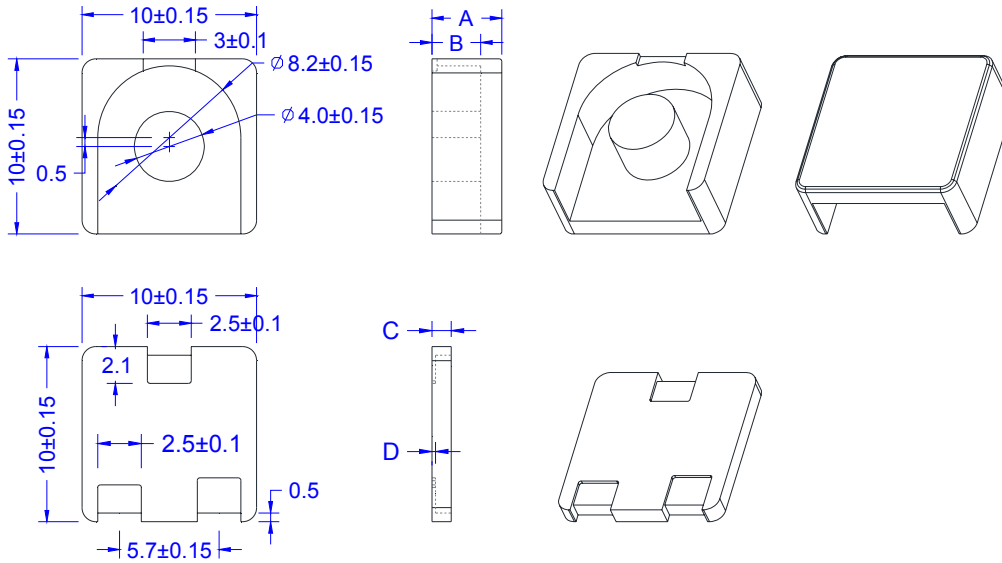
HT (mm)	E core P/N I core P/N	Physical dimension(mm)				Test wire W(mm)*H(mm)*Ts	Inductance(uH)	
		A (±0.1)	B (Min)	C (±0.1)	D (±0.05)			
3.4	KS00-A1010E-2.4AB KS00-A1010IW-1.0AB	2.4	1.4	1.0	0.2	1.8*0.3*2.5	0.5±15% @0A	0.4Min @13A
						1.8*0.25*3.5	1.0±15% @0A	0.9±15%@12A
3.9	KS00-A1010E-2.9AB KS00-A1010IW-1.0AB	2.9	1.9	1.0	0.2	1.8*0.4*2.5	0.47±15% @0A	0.38Min @18A
						1.8*0.3*3.5	0.95±15% @0A	0.85±15%@13A
4.4	KS00-A1010E-3.4AB KS00-A1010IW-1.0AB	3.4	2.3	1.0	0.2	1.8*0.5*2.5	0.45±15% @0A	0.36Min @22A
						1.8*0.4*3.5	0.85±15% @0A	0.7±15%@18A
						1.8*0.3*4.5	1.42±15% @0A	1.25±15%@13A
4.9	KS00-A1010E-3.9AB KS00-A1010IW-1.0AB	3.9	2.8	1.0	0.2	1.8*0.6*2.5	0.42±15% @0A	0.32Min @25A
						1.8*0.5*3.5	0.82±15% @0A	0.68±15%@20A
						1.8*0.4*4.5	1.33±15% @0A	1.1±15%@16A
5.6	KS00-A1010E-4.4AB KS00-A1010TI-1.2AB	4.4	3.3	1.2	0.2	1.8*0.7*2.5	0.4±15% @0A	0.3Min @30A
						1.8*0.6*3.5	0.8±15% @0A	0.6±15%@25A
						1.8*0.5*4.5	1.25±15% @0A	1.0±15%@20A



Karson Electronics Co., Ltd.

Assembly Type Core For SMD Inductors

Physical dimension (Size: 10*10mm---270° series)



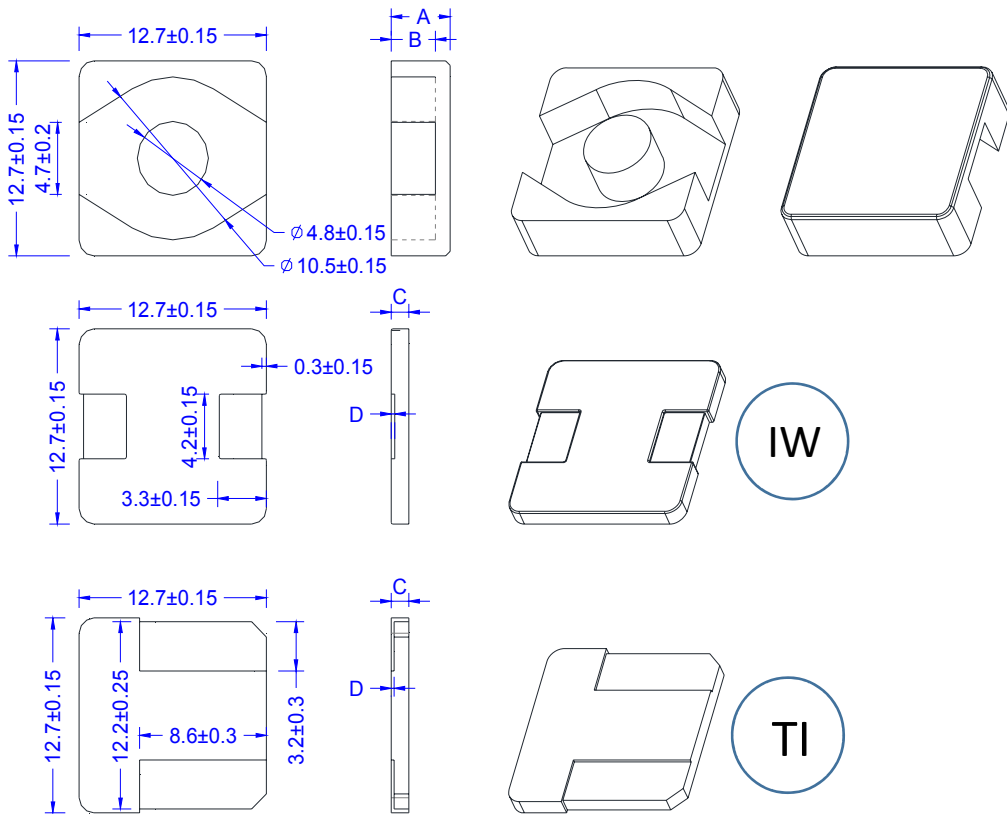
HT (mm)	E core P/N I core P/N	Physical dimension(mm)				Test wire W(mm)*H(mm)*Ts	Inductance(uH)	
		A (±0.1)	B (Min)	C (±0.1)	D (±0.05)			
4.2	KS00-A1010YE-3.0AC KS00-A1010YI-1.2AC	3.0	2.0	1.2	0.25	1.8*0.28*3.75	1.0±15% @0A	0.7Min @20A
5.4	KS00-A1010YE-4.2AC KS00-A1010YI-1.2AC	4.2	3.1	1.2	0.25	1.8*0.28*4.75	1.5±15% @0A	1.05Min @20A
6.0	KS00-A1010YE-4.8AC KS00-A1010YI-1.2AC	4.8	3.5	1.2	0.25	1.8*0.28*4.75	1.5±15% @0A	1.05Min @20A



Karson Electronics Co., Ltd.

Assembly Type Core For SMD Inductors

Physical dimension (Size: 12.7*12.7mm---180° series)



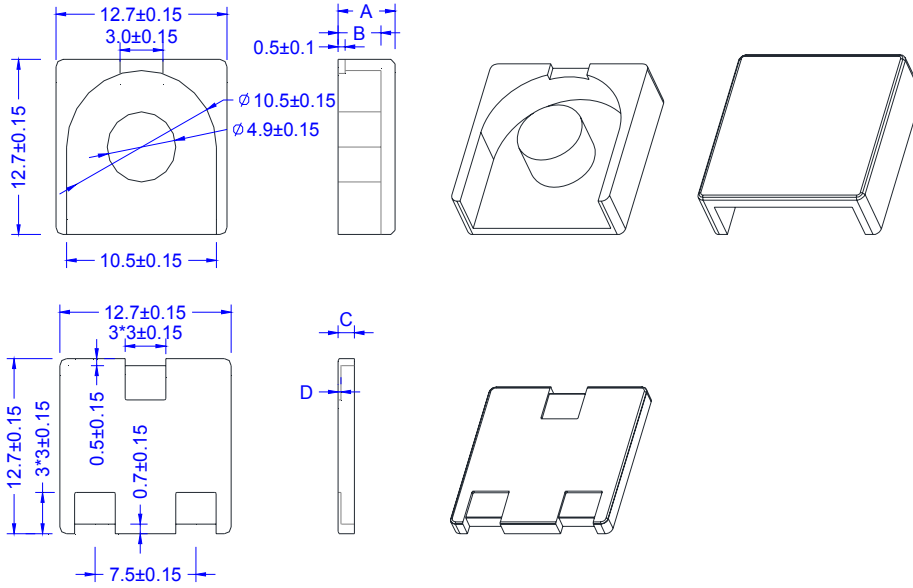
HT (mm)	E core P/N I core P/N	Physical dimension(mm)				Test wire W(mm)*H(mm)*Ts	Inductance(uH)	
		A (±0.1)	B (Min)	C (±0.1)	D (±0.05)			
3.7	KS00-A1212E-2.5AB KS00-A1212IW-1.2AB	2.5	1.4	1.2	0.25	1.8*0.3*2.5	0.60±15% @0A	0.48Min @18A
						1.8*0.25*3.5	1.15±15% @0A	1.0±15%@15A
4.9	KS00-A1212E-3.7AB KS00-A1212TI-1.2AB	3.7	2.5	1.2	0.20	1.8*0.5*2.5	0.55±15% @0A	0.42Min @30A
						1.8*0.4*3.5	1.05±15% @0A	0.9±15%@24A
						1.8*0.3*4.5	1.75±15% @0A	1.5±15%@18A
6.0	KS00-A1212E-4.8AB KS00-A1212IW-1.2AB	4.8	3.6	1.2	0.3	1.8*0.6*3.5	1.0±15% @0A	0.85±15% @30A
						1.8*0.5*4.5	1.65±15% @0A	1.3±15%@26A
						1.8*0.3*6.5	3.3±15% @0A	2.6±15%@18A
7.0	KS00-A1212E-5.8AB KS00-A1212IW-1.2AB	5.8	4.5	1.2	0.25	1.8*0.6*2.5	0.42±15% @0A	0.32Min @35A
						1.8*0.5*3.5	0.75±15% @0A	0.68±15%@25A
						1.8*0.4*4.5	1.33±15% @0A	1.1±15%@16A
7.2	KS00-A1212E-6.0AB KS00-A1212IW-1.2AB	6.0	4.7	1.2	0.25	1.8*0.7*2.5	0.4±15% @0A	0.3Min @30A
						1.8*0.6*3.5	0.8±15% @0A	0.6±15%@25A
						1.8*0.5*4.5	1.25±15% @0A	1.0±15%@20A



Karson Electronics Co., Ltd.

Assembly Type Core For SMD Inductors

Physical dimension (Size: 12.7*12.7mm---270° series)



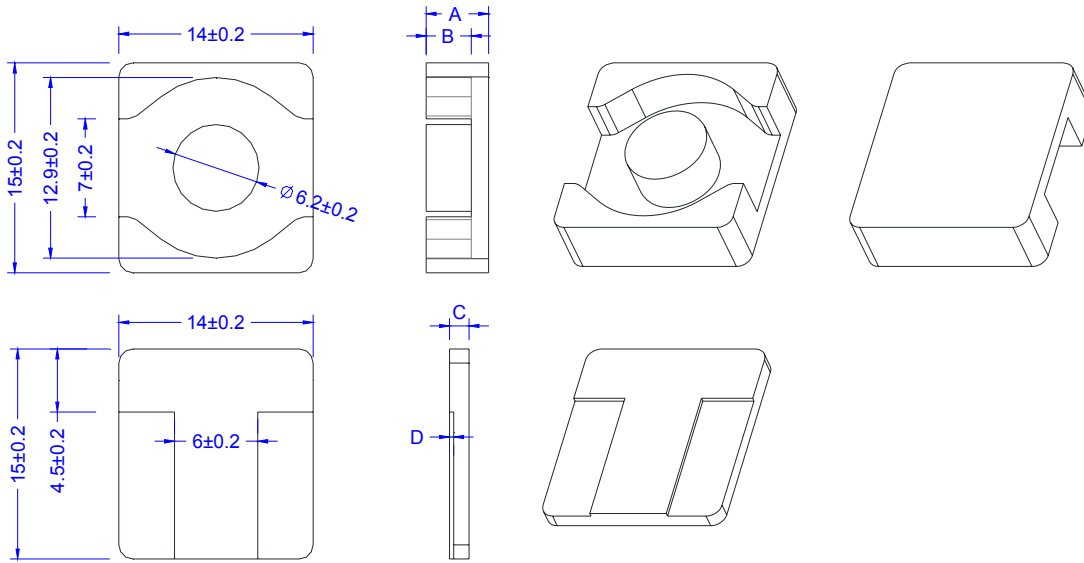
HT (mm)	E core P/N I core P/N	Physical dimension(mm)				Test wire W(mm)*H(mm)*Ts	Inductance(uH)	
		A (±0.1)	B (Min)	C (±0.1)	D (±0.05)			
3.8	KS00-A1212YE-2.6AC KS00-A1212YI-1.2AC	2.6	1.5	1.2	0.20	1.8*0.3*2.75	0.8±15% @0A	0.7±15%@18A
						1.8*0.25*3.75	1.5±15% @0A	1.3±15%@15A
4.2	KS00-A1212YE-3.0AC KS00-A1212YI-1.2AC	3.0	1.9	1.2	0.20	1.8*0.4*2.75	0.75±15% @0A	0.65±15%@24A
						1.8*0.3*3.75	1.4±15% @0A	1.2±15%@18A
4.7	KS00-A1212YE-3.5AC KS00-A1212YI-1.2AC	3.5	2.3	1.2	0.20	1.8*0.8*2.75	0.85±15% @0A	0.5±15%@30A
						1.8*0.6*3.75	1.3±15% @0A	1.0±15%@26A
5.2	KS00-A1212YE-4.0AC KS00-A1212YI-1.2AC	4.0	2.8	1.2	0.20	1.8*0.6*2.75	0.65±15% @0A	0.55±15%@30A
						1.8*0.5*3.75	1.2±15% @0A	1.0±15%@30A
6.7	KS00-A1212YE-5.5AC KS00-A1212YI-1.2AC	5.5	4.2	1.2	0.20	1.8*0.7*2.75	0.4±15% @0A	0.3 Min @40A
						1.8*0.6*3.75	0.8±15% @0A	0.6±15%@35A
						1.8*0.5*4.75	1.2±15% @0A	1.0±15%@30A



Karson Electronics Co., Ltd.

Assembly Type Core For SMD Inductors

Physical dimension (Size: 14*15mm---180° series)



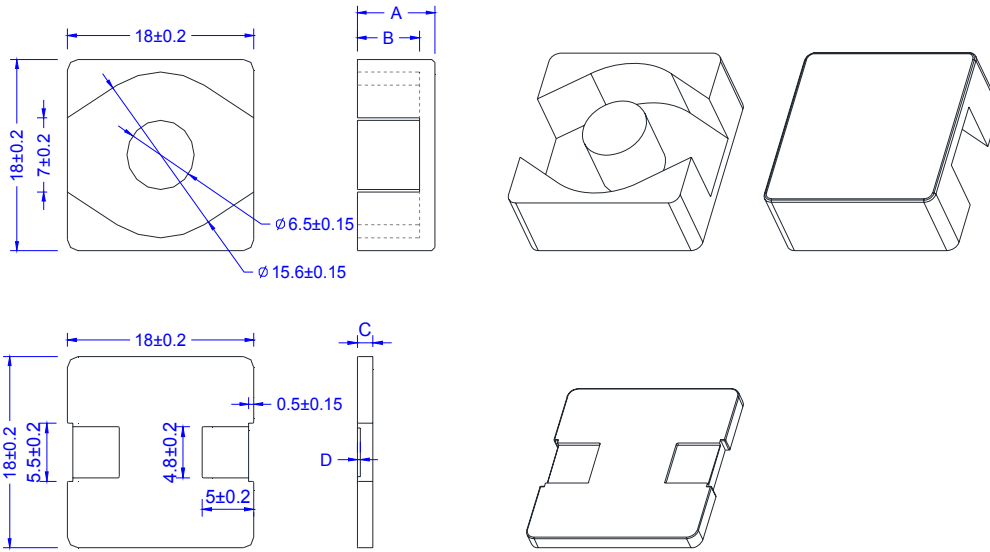
HT (mm)	E core P/N I core P/N	Physical dimension(mm)				Test wire W(mm)*H(mm)*Ts	Inductance(uH)	
		A (±0.1)	B (Min)	C (±0.1)	D (±0.05)			
4.9	KS00-A1415E-3.5AB KS00-A1415TI-1.4AB	3.5	2.3	1.4	0.30	2.0*0.4*3.5	1.0±15% @0A	80% LOA Min@25A
5.9	KS00-A1415E-4.5AB KS00-A1415TI-1.4AB	4.5	3.3	1.4	0.30	2.0*0.4*5.5	2.5±15% @0A	80% LOA Min@25A



Karson Electronics Co., Ltd.

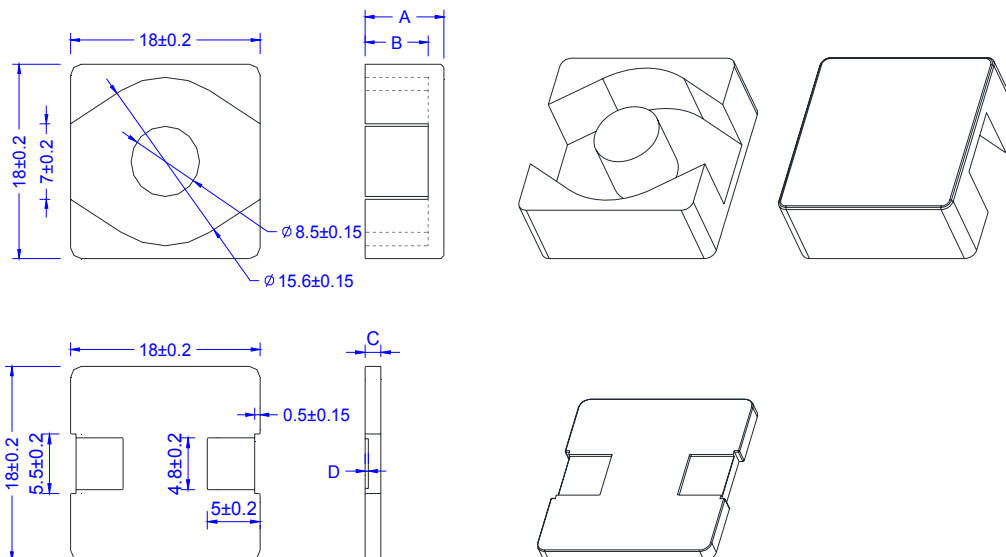
Assembly Type Core For SMD Inductors

Physical dimension (Size: 18*18mm---180° series)



HT (mm)	E core P/N I core P/N	Physical dimension(mm)				Test wire W(mm)*H(mm)*Ts	Inductance(uH)	
		A (±0.1)	B (Min)	C (±0.1)	D (±0.05)			
6.3	KS00-A1818E-4.9AB KS00-A1818IW-1.4AB	4.9	3.4	1.4	0.30	4.0*0.3*7.5	4.7±15% @0A	80% L0A Min@20A
8.8	KS00-A1818E-7.3AB KS00-A1818IW-1.5AB	7.3	5.8	1.5	0.50	4.0*0.4*10.5	6.8±15% @0A	5.4±15%@22A

Physical dimension (Size: 18*18mm---180° series Center pole: 8.5mm)



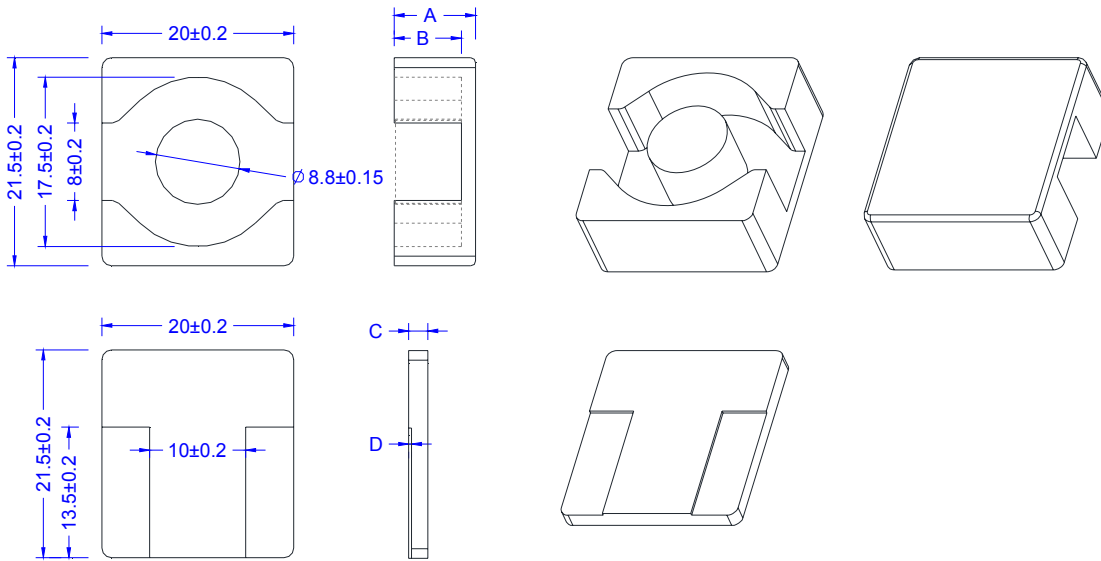
HT (mm)	E core P/N I core P/N	Physical dimension(mm)				Test wire W(mm)*H(mm)*Ts	Inductance(uH)	
		A (±0.1)	B (Min)	C (±0.1)	D (±0.05)			
8.7	KS00-A1818E-7.2AB KS00-A1818IW-1.5AB	7.2	5.7	1.5	0.50	3.0*0.4*8.5	8.1±15% @0A	6.8±15%@15A
9.0	KS00-A1818E-7.5AB KS00-A1818IW-1.5AB	7.5	6.0	1.5	0.30	3.0*0.3*16.5	28.5±15% @0A	22±15%@10A



Karson Electronics Co., Ltd.

Assembly Type Core For SMD Inductors

Physical dimension (Size: 20*21mm---180° series)



HT (mm)	E core P/N I core P/N	Physical dimension(mm)				Test wire W(mm)*H(mm)*Ts	Inductance(uH)	
		A (±0.1)	B (Min)	C (±0.1)	D (±0.05)			
7.2	KS00-A2021E-5.2AB KS00-A2021TI-2.0AB	5.2	3.5	2.0	0.30	3.0*0.4*6.5	3.8±15% @0A	3.5±15%@30A
10.0	KS00-A2021E-8.0AB KS00-A2021TI-2.0AB	8.0	6.3	2.0	0.30	3.0*0.3*11.5	12±15% @0A	9.5±15%@25A



Karson Electronics Co., Ltd.

Assembly Type Core For SMD Inductors

Magnetic Characteristic

Material: KS-J01 (High temperature iron powder, $\mu \approx 57$)

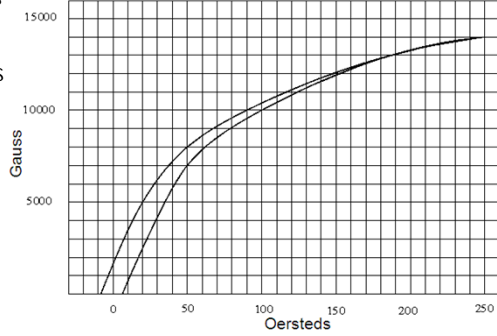
B-H CURVE

Bm= 14000 gauss

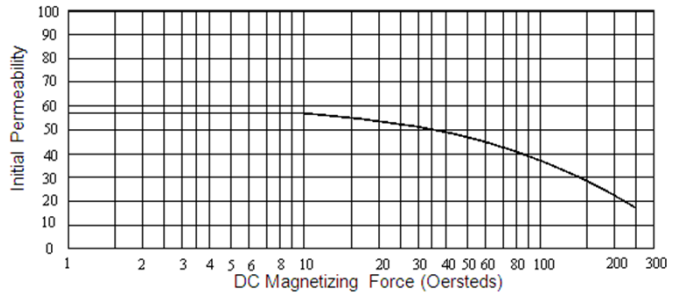
Br= 1600 gauss

Hm= 250 oersteds

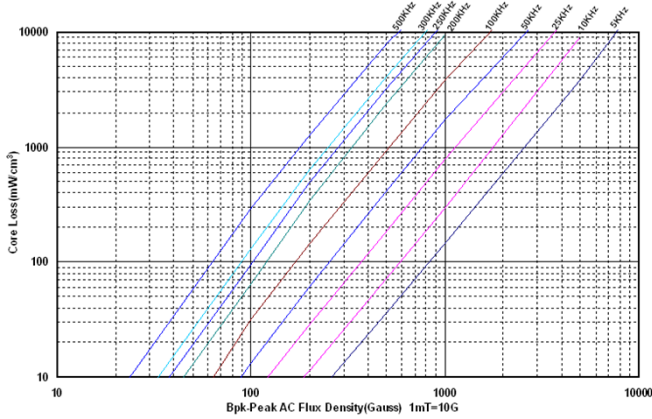
Hc= 7 oersteds



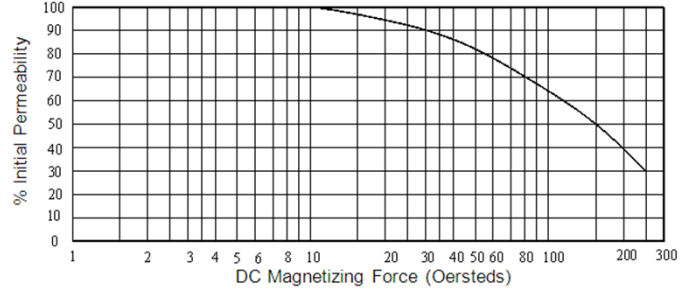
Initial Permeability VS DC Magnetizing Force



Core Loss VS Peak AC Flux Density



Percent Initial Permeability VS DC Magnetizing Force



Material: KS-J21 (Alloy powder, $\mu \approx 55$)

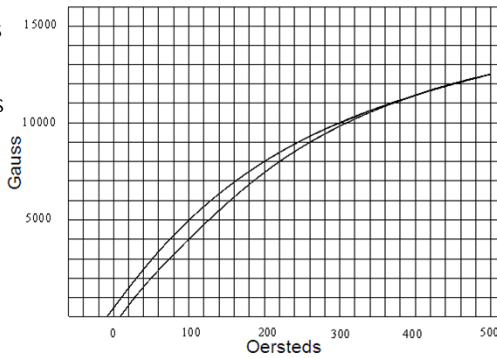
B-H CURVE

Bm= 14000 gauss

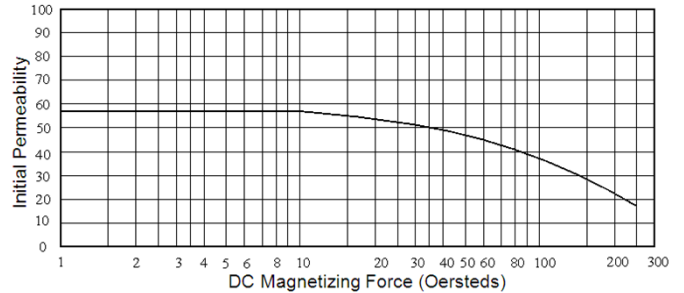
Br= 1600 gauss

Hm= 250 oersteds

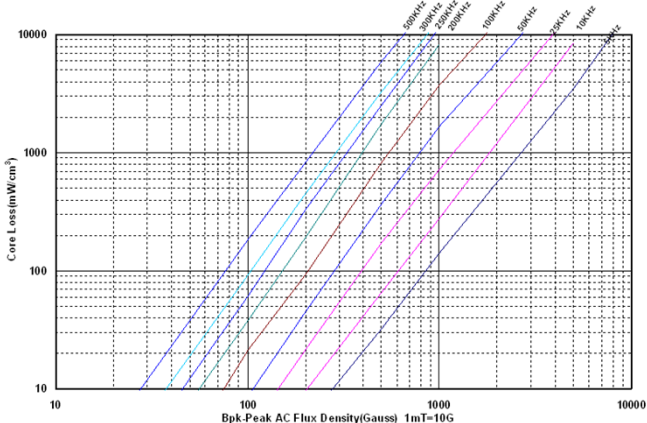
Hc= 7 oersteds



Initial Permeability VS DC Magnetizing Force



Core Loss VS Peak AC Flux Density



Percent Initial Permeability VS DC Magnetizing Force

