

# MATERIAL

## Karson material properties

Material Mix No	Color/Code	Material Mix No	Color	AL Tolerance	Practical Frequency/range	Initial Permeability	Temp coef of Permeability
-2	Red/Gray	-2-200	Gray	±5%	250KHz-10MHz	10	94
-6	Yellow/Gray	-6-200	T.B.D.	±5%	3MHz-40MHz	8.5	35
-8	Yellow/Red	-8-200	Red	±10%	20KHz-1MHz	35	370
-10	Black/Gray	-10-200	T.B.D.	±5%	15MHz-100MHz	6	145
-14	Black/Red	-14-200	T.B.D.	±10%	500KHz-15MHz	14	150
-15	Red/White	-15-200	T.B.D.	±10%	150KHz-3MHz	25	190
-17	Blue/Yellow	-17-200	T.B.D.	±5%	20MHz-200MHz	4	50
-18	Green/Red	-18-200	Green	±10%	10KHz-1MHz	55	385
-26	Yellow/White	-26-200	Yellow	±10%	1KHz-500KHz	75	825
-28	Gray/Green	-28-200	T.B.D.	±10%	50KHz-100KHz	22	415
-33	Gray/Yellow	-33-200	Drak Blue	±10%	20KHz-5MHz	33	635
-34	Gray/Blue	-34-200	KQ Gray	±10%	20KHz-5MHz	33	565
-35	Yellow/Gray	-35-200	T.B.D.	±10%	20KHz-5MHz	33	666
-38	Gray/Black	-38-200	T.B.D.	±10%	1KHz-500KHz	85	956
-40	Green/Yellow	-40-200	Grass Green	±10%	1KHz-1MHz	60	950
-45	Black	-45-200	Black	±10%	1KHz-500KHz	100	1040
-52	Green/Blue	-52-200	Blue	±10%	1KHz-1MHz	75	650

## Material applications

Typical	-2 -2-200	-8 -8-200	-10 -10-200	-14 -14-200	-18 -18-200	-26 -26-200	-28 -28-200	-33 -33-200	-38 -38-200	-40 -40-200	-45 -45-200	-52 -52-200
Light Dimmer Chokes						△			△	△	△	
EMI Line Chokes						△			△	△	△	△
DC Chokes <50KHz						△	△	△	△	△	△	
DC Chokes ≥50KHz		△		△	△							△
Power Factor correction Chokes <50KHz						△	△	△		△		
Power Factor correction Chokes ≥50KHz	△	△	△	△	△							△
Resonant inductor ≥50KHz	△		△	△								

## Material description

**-2/14 Materials & -2/14-200 Materials** The low permeability of these materials will result in lower operating AC flux density than with other materials with no additional gap-loss, The -14 material is similar to -2 material with slightly higher permeability.

**-8 Material & -8-200 Material** This material has low core loss and good linearity under high bias conditions, a good high frequency material, while the highest cost material.

**-18 Material & -18-200 Material** This material has low core loss similar to the -8 material with higher Permeability and a lower cost, good DC saturation characteristics.

**-26 Material & -26-200 Material** The most popular material. It is a cost-effective general purpose material that is useful in a wide variety of power conversion and line filter applications.

**-33 Material & -33-200 Material** The good linearity, low cost, and relatively low Permeability of this material make it popular in large sizes for high power UPS chokes.

**-34/35 Materials & -34/35-200 Material** An inexpensive alternate to the -8 material for applications where high frequency core loss is not critical. Good linearity with high bias.

**-38 Material & -38-200 Material** A higher permeability alternate to the -26 material. A low cost material best used at line frequency.

**-40 Material & -40-200 Material** The least expensive material. It has characteristics quite similar to the very popular -26 material. Popular in large sizes.

**-45 Material & -45-200 Material** The highest Permeability material. A high Permeability alternate to -52 material with slightly higher core loss.

**-52 Material & -52-200 Material** This material has lower core at high frequency and the same Permeability as The -26 material. It is very popular for high frequency choke designs.

# TOLERANCES

## Dimensional tolerance(mm)

Toroids	OD	ID	HT	Toroids	OD	ID	HT
KST16-KST20	±0.4	±0.4	±0.4	KST150-KST225	±0.64	±0.64	±0.76
KST25-KST72	±0.5	±0.5	±0.5	KST249-KST400	±0.76	±0.76	±0.76
KST80-KST141	±0.5	±0.5	±0.64				

BUS BAR	A	B	D	E	L
KSHS300-KSHS400	±0.4	±0.5	±0.13	±0.13	±0.5

E CORES	A	B	C	D	E	G
KSE49-KSE118	±0.25	±0.55	±0.13	±0.18	±0.13	±0.18
KSE125-KSE162	±0.38	±0.38	±0.18	±0.25	±0.18	±0.25
KSE168-KSE225	±0.38	±0.76	±0.25	±0.25	±0.18	±0.25
KSE305-KSE450	±0.76	±0.76	±0.18	±0.5	±0.18	±0.5

PLAIN CORES	OD	L
PXX24-PXX40	+0/-0.13	±0.38
PX48-PXX76	+0/-0.13	±0.5

## Magnetic tolerance

Typical	-2	-8	-14	-18	-26	-28	-33	-38	-40	-45	-52
	-2-200	-8-200	-14-200	-18-200	-26-200	-28-200	-33-200	-38-200	-40-200	-45-200	-52-200
AL Tolerance	+5%	+10%	+10%	+10%	+10%	+10%	+10%	+10%	+10%	+10%	+10%
	-5%	-10%	-10%	-10%	-10%	-10%	-10%	-10%	-10%	-10%	-10%

The cores are manufactured to the AL values listed: The Permeability for each material is for reference only. In all cases, the AL values are based on a peak AC flux density of 10 gauss (1 mT) at a frequency of 10 kHz.

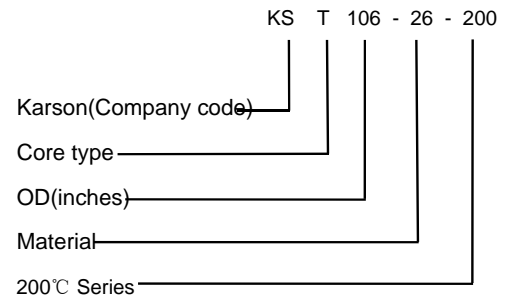
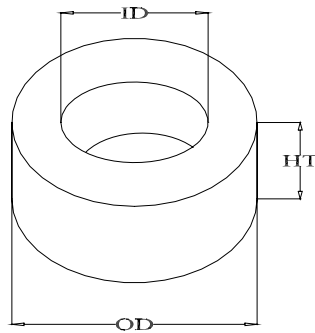
The toroidal cores are tested with an evenly-spaced full single-layer winding in order to minimize leakage effects. Iron powder cores tested with a small number of turns which are not evenly distributed will produce higher inductance readings than expected. The E cores are tested with 100 turns.

# TOROIDAL CORE

## Dimensional tolerance(mm)

### Color code

-2 Red/Gray	-2-200 Gray
-8 Yellow/Red	-8-200 Red
-18 Green/Red	-18-200 Green
-26 Yellow/White	-26-200 Yellow
-28 Gray/Green	-28-200 T.B.D.
-33 Gray/Yellow	-33-200 Drak Blue
-38 Gray/Black	-38-200 KQ Gray
-40 Green/Yellow	-40-200 Grass Green
-45 Black/Black	-45-200 Black
-52 Green/Blue	-52-200 Blue



## Magnetic dimensions

Karson Prat No		OD		ID		HT		AL	L	A	V
-125	-200	In/mm		In/mm		In/mm		nH/N <sup>2</sup>	cm	cm <sup>2</sup>	cm <sup>3</sup>
KST16-2	KST16-2-200	0.160	4.06	0.078	1.98	0.060	1.52	2.2	0.93	0.015	0.014
KST16-6	KST16-6-200							1.9			
KST16-8/90	KST16-8/90-200							6.0			
KST16-10	KST16-10-200							1.3			
KST16-15	KST16-15-200							5.5			
KST16-17	KST16-17-200							0.8			
KST16-18	KST16-18-200							9.5			
KST16-26	KST16-26-200							14.5			
KST16-40	KST16-40-200							12.5			
KST16-45	KST16-45-200							17.0			
KST16-52	KST16-52-200							13.5			
KST20-2	KST20-2-200	0.200	5.08	0.088	2.24	0.070	1.78	2.5	1.15	0.023	0.026
KST20-6	KST20-6-200							2.2			
KST20-8/90	KST20-8/90-200							7.8			
KST20-10	KST20-10-200							1.6			
KST20-15	KST20-15-200							6.5			
KST20-17	KST20-17-200							1.0			
KST20-18	KST20-18-200							13.0			
KST20-26	KST20-26-200							18.5			
KST20-40	KST20-40-200							16.0			
KST20-45	KST20-45-200							22.5			
KST20-52	KST20-52-200							17.5			
KST25-2	KST25-2-200	0.255	6.48	0.120	3.05	0.096	2.44	3.4	1.50	0.037	0.055
KST25-6	KST25-6-200							2.7			
KST25-8/90	KST25-8/90-200							10.0			
KST25-10	KST25-10-200							1.9			
KST25-15	KST25-15-200							8.5			

# TOROIDAL CORE

## Magnetic dimensions

Karson Prat No		OD		ID		HT		AL	L	A	V
-125	-200	In/mm		In/mm		In/mm		nH/N <sup>2</sup>	cm	cm <sup>2</sup>	cm <sup>3</sup>
KST25-17	KST25-17-200	0.255	6.48	0.120	3.05	0.096	2.44	1.2	1.50	0.037	0.055
KST25-18	KST25-18-200							17.0			
KST25-26	KST25-26-200							24.5			
KST25-40	KST25-40-200							20.5			
KST25-45	KST25-45-200							31.0			
KST25-52	KST25-52-200							23.0			
KST26-8/90	KST26-8/90-200	0.265	6.73	0.105	2.67	0.190	4.83	24.0	1.47	0.090	0.133
KST26-18	KST26-18-200							41.5			
KST26-26	KST26-26-200							57.0			
KST26-45	KST26-45-200							77.0			
KST26-52	KST26-52-200							56.0			
KST27-2	KST27-2-200	0.280	7.11	0.151	3.84	0.128	3.25	3.3	1.71	0.047	0.080
KST27-6	KST27-6-200							2.7			
KST27-8/90	KST27-8/90-200							11.5			
KST27-10	KST27-10-200							2.2			
KST27-17	KST27-17-200							1.3			
KST27-18	KST27-18-200							13.0			
KST27-26	KST27-26-200							27.5			
KST27-52	KST27-52-200							25.5			
KST30-2	KST30-2-200	0.307	7.80	0.151	3.84	0.128	3.25	4.3	1.84	0.036	0.110
KST30-6	KST30-6-200							3.6			
KST30-8/90	KST30-8/90-200							14.0			
KST30-10	KST30-10-200							2.5			
KST30-15	KST30-15-200							9.3			
KST30-17	KST30-17-200							1.6			
KST30-18	KST30-18-200							22.0			
KST30-26	KST30-26-200							33.5			
KST30-40	KST30-40-200							28.0			
KST30-45	KST30-45-200							40.5			
KST30-52	KST30-52-200							30.5			
KST37-2	KST37-2-200	0.375	9.53	0.205	5.21	0.128	3.25	4.0	2.31	0.064	0.147
KST37-6	KST37-6-200							3.0			
KST37-8/90	KST37-8/90-200							12.0			
KST37-10	KST37-10-200							2.5			
KST37-15	KST37-15-200							9.0			
KST37-17	KST37-17-200							1.5			
KST37-18	KST37-18-200							19.0			
KST37-26	KST37-26-200							28.5			
KST37-40	KST37-40-200							24.5			

# TOROIDAL CORE

## Magnetic dimensions

Karson Prat No		OD		ID		HT		AL	L	A	V
-125	-200	In/mm		In/mm		In/mm		nH/N <sup>2</sup>	cm	cm <sup>2</sup>	cm <sup>3</sup>
KST37-45	KST37-45-200	0.375	9.53	0.205	5.21	0.128	3.25	34.0	2.31	0.064	0.147
KST37-52	KST37-52-200							26.0			
KST38-2	KST38-2-200	0.375	9.53	0.175	4.45	0.190	4.83	7.4	2.18	0.114	0.248
KST38-8/90	KST38-8/90-200							20.0			
KST38-18	KST38-18-200							36.0			
KST38-26	KST38-26-200							49.0			
KST38-40	KST38-40-200							41.5			
KST38-45	KST38-45-200							65.0			
KST38-52	KST38-52-200							49.0			
KST40-26	KST40-26-200	0.400	10.20	0.205	5.21	0.163	4.14	36.0	2.41	0.093	0.223
KST40-52	KST40-52-200							36.0			
KST44-2	KST44-2-200	0.440	11.20	0.229	5.82	0.159	4.04	5.2	2.68	0.099	0.266
KST44-6	KST44-6-200							4.2			
KST44-8/90	KST44-8/90-200							18.0			
KST44-10	KST44-10-200							3.3			
KST44-14	KST44-14-200							6.2			
KST44-15	KST44-15-200							16.0			
KST44-17	KST44-17-200							1.85			
KST44-18	KST44-18-200							25.5			
KST44-26	KST44-26-200							37.0			
KST44-40	KST44-40-200							31.0			
KST44-45	KST44-45-200							46.5			
KST44-52	KST44-52-200							35.0			
KST44-52D	KST44-52D-200	0.440	11.20	0.229	5.82	0.338	8.59	70.0	2.68	0.212	0.567
KST50-2	KST50-2-200	0.500	12.70	0.303	7.70	0.190	4.83	4.9	3.19	0.112	0.358
KST50-6	KST50-6-200							4.0			
KST50-8/90	KST50-8/90-200							17.5			
KST50-10	KST50-10-200							3.1			
KST50-14	KST50-14-200							5.9			
KST50-15	KST50-15-200							13.5			
KST50-17	KST50-17-200							1.8			
KST50-18	KST50-18-200							24.0			
KST50-26	KST50-26-200							33.0			
KST50-38	KST50-38-200							37.5			
KST50-40	KST50-40-200							29.5			
KST50-45	KST50-45-200							44.0			
KST50-52	KST50-52-200							33.0			

# TOROIDAL CORE

## Magnetic dimensions

Karson Prat No		OD		ID		HT		AL	L	A	V
-125	-200	In/mm		In/mm		In/mm		nH/N <sup>2</sup>	cm	cm <sup>2</sup>	cm <sup>3</sup>
KST50-8B/90	KST50-8B/90-200	0.500	12.70	0.300	7.70	0.250	6.35	23.0	3.19	0.148	0.471
KST50-18B	KST50-18B-200							32.0			
KST50-26B	KST50-26B-200							43.5			
KST50-38B	KST50-38B-200							49.5			
KST50-40B	KST50-40B-200							38.5			
KST50-45B	KST50-45B-200							58.0			
KST50-52B	KST50-52B-200							43.5			
KST50-8C/90	KST50-8C/90-200	0.500	12.70	0.303	7.70	0.335	8.51	28.3	3.19	0.200	0.637
KST50-26C	KST50-26C-200							61.0			
KST50-26D	KST50-26D-200	0.500	12.70	0.303	7.70	0.375	9.53	72.0	3.19	0.223	0.711
KST50-40D	KST50-40D-200							59.0			
KST50-52D	KST50-52D-200							66.0			
KST51-2B	KST51-2B-200	0.500	12.70	0.200	5.08	0.312	7.92	13.8	2.79	0.282	0.786
KST51-6B	KST51-6B-200							10.2			
KST51-8C/90	KST51-8C/90-200	0.500	12.70	0.200	5.08	0.250	6.35	37.0	2.79	0.223	0.622
KST51-18C	KST51-18C-200							55.0			
KST51-26C	KST51-26C-200							83.0			
KST51-40C	KST51-40C-200							67.0			
KST51-52C	KST51-52C-200							75.0			
KST60-2	KST60-2-200	0.600	15.20	0.336	8.53	0.234	5.94	6.5	3.74	0.187	0.699
KST60-6	KST60-6-200							5.5			
KST60-8/90	KST60-8/90-200							19.0			
KST60-14	KST60-14-200							8.3			
KST60-18	KST60-18-200							34.5			
KST60-26	KST60-26-200							50.0			
KST60-40	KST60-40-200							41.5			
KST60-52	KST60-52-200							47.0			
KST60-26D	KST60-26D-200	0.600	15.20	0.336	8.53	0.470	11.90	97.0	3.74	0.374	1.400
KST60-52D	KST60-52D-200							94.0			
KST68-2	KST68-2-200	0.690	17.50	0.370	9.40	0.190	4.83	5.7	4.23	0.179	0.759
KST68-6	KST68-6-200							4.7			
KST68-8/90	KST68-8/90-200							19.5			
KST68-10	KST68-10-200							3.2			
KST68-14	KST68-14-200							7.0			
KST68-15	KST68-15-200							18.0			
KST68-17	KST68-17-200							2.1			

# TOROIDAL CORE

## Magnetic dimensions

Karson Prat No		OD		ID		HT		AL	L	A	V
-125	-200	In/mm		In/mm		In/mm		nH/N <sup>2</sup>	cm	cm <sup>2</sup>	cm <sup>3</sup>
KST68-18	KST68-18-200	0.690	17.50	0.370	9.40	0.190	4.83	29.0	4.23	0.179	0.759
KST68-26	KST68-26-200							43.5			
KST68-38	KST68-38-200							45.0			
KST68-40	KST68-40-200							35.0			
KST68-45	KST68-45-200							53.0			
KST68-52	KST68-52-200							40.0			
KST68-2A	KST68-2A-200	0.690	17.50	0.370	9.40	0.250	6.35	7.0	4.23	0.242	1.030
KST68-6A	KST68-6A-200							6.2			
KST68-8A/90	KST68-8A/90-200							26.0			
KST68-14A	KST68-14A-200							9.5			
KST68-18A	KST68-18A-200							39.5			
KST68-26A	KST68-26A-200							58.0			
KST68-38A	KST68-38A-200							61.0			
KST68-40A	KST68-40A-200							47.0			
KST68-45A	KST68-45A-200							71.0			
KST68-52A	KST68-52A-200							54.0			
KST68-2D	KST68-2D-200	0.690	17.50	0.370	9.40	0.375	9.53	14.4	4.23	0.358	1.520
KST68-14D	KST68-14D-200							14.2			
KST68-26D	KST68-26D-200							87.0			
KST68-40D	KST68-40D-200							70.0			
KST68-52D	KST68-52D-200							80.0			
KST72-2	KST72-2-200	0.720	18.30	0.280	7.11	0.260	6.60	12.8	4.01	0.349	1.400
KST72-8/90	KST72-8/90-200							36.0			
KST72-18	KST72-18-200							60.0			
KST72-26	KST72-26-200							90.0			
KST74-40	KST74-40-200							71.0			
KST72-52	KST72-52-200							82.0			
KST80-2	KST80-2-200	0.795	20.20	0.495	12.60	0.250	6.35	5.5	5.14	0.231	1.190
KST80-6	KST80-6-200							4.5			
KST80-8/90	KST80-8/90-200							18.0			
KST80-10	KST80-10-200							3.2			
KST80-14	KST80-14-200							7.4			
KST80-15	KST80-15-200							17.0			
KST80-17	KST80-17-200							2.2			
KST80-18	KST80-18-200							31.0			
KST80-26	KST80-26-200							46.0			
KST80-38	KST80-38-200							48.0			
KST80-40	KST80-40-200							39.5			
KST80-52	KST80-52-200							42.0			

# TOROIDAL CORE

## Magnetic dimensions

Karson Prat No		OD		ID		HT		AL	L	A	V
-125	-200	In/mm		In/mm		In/mm		nH/N <sup>2</sup>	cm	cm <sup>2</sup>	cm <sup>3</sup>
KST80-8B/90	KST80-8B/90-200	0.795	20.20	0.495	12.60	0.375	9.53	29.5	5.14	0.347	1.730
KST80-14B	KST80-14B-200							11.0			
KST80-18B	KST80-18B-200							46.5			
KST80-26B	KST80-26B-200							71.0			
KST80-38B	KST80-38B-200							72.0			
KST80-40B	KST80-40B-200							59.0			
KST80-52B	KST80-52B-200							63.0			
KST80-26D	KST80-26D-200	0.795	20.20	0.495	12.60	0.500	12.70	92.0	5.14	0.453	2.230
KST80-40D	KST80-40D-200							79.0			
KST80-52D	KST80-52D-200							83.0			
KST90-8/90	KST90-8/90-200	0.900	22.90	0.550	14.00	0.375	9.53	30.0	5.78	0.395	2.280
KST90-18	KST90-18-200							47.0			
KST90-26	KST90-26-200							70.0			
KST90-38	KST90-38-200							73.0			
KST90-40	KST90-40-200							57.0			
KST90-52	KST90-52-200							64.0			
KST94-2	KST94-2-200	0.942	23.90	0.560	14.20	0.312	7.92	8.4	5.97	0.362	2.160
KST94-6	KST94-6-200							7.0			
KST94-8/90	KST94-8/90-200							25.0			
KST94-10	KST94-10-200							5.8			
KST94-14	KST94-14-200							10.0			
KST94-15	KST94-15-200							20.0			
KST94-17	KST94-17-200							2.9			
KST94-18	KST94-18-200							42.0			
KST94-26	KST94-26-200							60.0			
KST94-38	KST94-38-200							65.0			
KST94-40	KST94-40-200							49.0			
KST94-52	KST94-52-200							57.0			
KST106-2	KST106-2-200	1.060	26.90	0.570	14.50	0.437	11.10	13.5	6.49	0.659	4.280
KST106-6	KST106-6-200							11.6			
KST106-8/90	KST106-8/90-200							45.0			
KST106-14	KST106-14-200							17.0			
KST106-15	KST106-15-200							34.5			
KST106-17	KST106-17-200							5.1			
KST106-18	KST106-18-200							70.0			
KST106-26	KST106-26-200							93.0			
KST106-28	KST106-28-200							30.0			
KST106-33	KST106-33-200							40.0			
KST106-34	KST106-34-200							40.0			



# TOROIDAL CORE

## Magnetic dimensions

Karson Prat No		OD		ID		HT		AL	L	A	V
-125	-200	In/mm		In/mm		In/mm		nH/N <sup>2</sup>	cm	cm <sup>2</sup>	cm <sup>3</sup>
KST106-35	KST106-35-200	1.060	26.90	0.570	14.50	0.437	11.10	40.0	6.49	0.659	4.280
KST106-38	KST106-38-200							108.0			
KST106-40	KST106-40-200							81.0			
KST106-52	KST106-52-200							95.0			
KST106-18A	KST106-18A-200	1.060	26.90	0.570	14.50	0.312	7.92	49.0	6.49	0.461	3.000
KST106-26A	KST106-26A-200							67.0			
KST106-40A	KST106-40A-200							58.0			
KST106-52A	KST106-52A-200							67.0			
KST106-18B	KST106-18B-200	1.060	26.90	0.570	14.50	0.575	14.60	91.0	6.49	0.858	5.570
KST106-26B	KST106-26B-200							124.0			
KST106-40B	KST106-40B-200							106.0			
KST106-52B	KST106-52B-200							124.0			
KST124-26	KST124-26-200	1.245	31.60	0.710	18.00	0.280	7.11	58.0	7.75	0.459	3.550
KST130-2	KST130-2-200	1.300	33.00	0.780	19.80	0.437	11.10	11.0	8.28	0.698	5.780
KST130-6	KST130-6-200							9.6			
KST130-8/90	KST130-8/90-200							35.0			
KST130-14	KST130-14-200							14.0			
KST130-15	KST130-15-200							25.0			
KST130-17	KST130-17-200							4.0			
KST130-18	KST130-18-200							58.0			
KST130-26	KST130-26-200							81.0			
KST130-28	KST130-28-200							25.0			
KST130-33	KST130-33-200							33.5			
KST130-34	KST130-34-200							33.5			
KST130-35	KST130-35-200							33.5			
KST130-38	KST130-38-200							90.0			
KST130-40	KST130-40-200							69.0			
KST130-52	KST130-52-200							79.0			
KST130-26A	KST130-26A-200	1.300	33.00	0.780	19.80	0.225	5.72	41.0	8.28	0.361	2.990
KST130-40A	KST130-40A-200							34.0			
KST131-8/90	KST131-8/90-200	1.300	33.00	0.640	16.30	0.437	11.10	52.5	7.72	0.885	6.840
KST131-18	KST131-18-200							79.0			
KST131-26	KST131-26-200							116.0			
KST131-33	KST131-33-200							46.5			
KST131-34	KST131-34-200							46.5			
KST131-35	KST131-35-200							46.5			
KST131-40	KST131-40-200							93.0			

# TOROIDAL CORE

## Magnetic dimensions

Karson Prat No		OD		ID		HT		AL	L	A	V
-125	-200	In/mm		In/mm		In/mm		nH/N <sup>2</sup>	cm	cm <sup>2</sup>	cm <sup>3</sup>
KST131-52	KST131-52-200	1.300	33.00	0.640	16.30	0.437	11.10	108.0	7.72	0.885	6.840
KST132-26	KST132-26-200	1.300	33.00	0.700	17.80	0.437	11.10	103.0	7.96	0.805	6.410
KST132-40	KST132-40-200							83.0			
KST132-52	KST132-52-200							95.0			
KST141-8	KST141-8-200	0.415	35.90	0.880	22.40	0.412	10.50	32.0	9.14	0.674	6.160
KST141-26	KST141-26-200							75.0			
KST141-40	KST141-40-200							60.0			
KST141-52	KST141-52-200							69.0			
KST150-18	KST150-18-200	1.510	38.40	0.845	21.50	0.437	11.10	65.0	9.38	0.887	8.310
KST150-26	KST150-26-200							96.0			
KST150-40	KST150-40-200							78.0			
KST150-52	KST150-52-200							89.0			
KST150-26A	KST150-26A-200	1.510	38.40	0.845	21.50	0.325	8.26	66.0	9.38	0.657	6.160
KST150-38A	KST150-38A-200							74.5			
KST157-2	KST157-2-200	1.570	39.90	0.950	24.10	0.570	14.50	14.0	10.10	1.060	10.700
KST157-6	KST157-6-200							11.5			
KST157-8/90	KST157-8/90-200							42.0			
KST157-14	KST157-14-200							17.5			
KST157-17	KST157-17-200							5.3			
KST157-18	KST157-18-200							73.0			
KST157-26	KST157-26-200							100.0			
KST157-28	KST157-28-200							31.5			
KST157-33	KST157-33-200							43.5			
KST157-34	KST157-34-200							43.5			
KST157-35	KST157-35-200							43.5			
KST157-38	KST157-38-200							112.0			
KST157-40	KST157-40-200							86.0			
KST157-52	KST157-52-200							99.0			
KST175-2	KST175-2-200	1.750	44.50	1.070	27.20	0.650	16.50	15.0	11.20	1.340	15.000
KST175-6	KST175-6-200							12.5			
KST175-8/90	KST175-8/90-200							48.0			
KST175-18	KST175-18-200							82.0			
KST175-26	KST175-26-200							105.0			
KST175-40	KST175-40-200							90.0			
KST175-52	KST175-52-200							105.0			
KST184-2	KST184-2-200	1.840	46.70	0.950	24.10	0.710	18.00	24.0	11.20	1.880	21.000

# TOROIDAL CORE

## Magnetic dimensions

Karson Prat No		OD		ID		HT		AL	L	A	V
-125	-200	In/mm		In/mm		In/mm		nH/N <sup>2</sup>	cm	cm <sup>2</sup>	cm <sup>3</sup>
KST184-6	KST184-6-200	1.840	46.70	0.950	24.10	0.710	18.00	19.5	11.20	1.880	21.000
KST184-8/90	KST184-8/90-200							72.0			
KST184-14	KST184-14-200							28.0			
KST184-17	KST184-17-200							8.7			
KST184-18	KST184-18-200							116.0			
KST184-26	KST184-26-200							169.0			
KST184-28	KST184-28-200							51.0			
KST184-33	KST184-33-200							70.0			
KST184-34	KST184-34-200							70.0			
KST184-35	KST184-35-200							70.0			
KST184-40	KST184-40-200							143.0			
KST184-52	KST184-52-200							159.0			
KST200-2	KST200-2-200	2.000	50.80	1.250	31.80	0.550	14.00	12.0	13.00	1.270	16.400
KST200-6	KST200-6-200							10.0			
KST200-8/90	KST200-8/90-200							42.5			
KST200-18	KST200-18-200							67.0			
KST200-26	KST200-26-200							92.0			
KST200-33	KST200-33-200							37.0			
KST200-34	KST200-34-200							37.0			
KST200-35	KST200-35-200							37.0			
KST200-40	KST200-40-200							79.0			
KST200-52	KST200-52-200							92.0			
KST200-2B	KST200-2B-200	2.000	50.80	1.250	31.80	1.000	25.40	21.8	13.00	2.320	30.000
KST200-8B/90	KST200-8B/90-200							78.5			
KST200-18B	KST200-18B-200							120.0			
KST200-26B	KST200-26B-200							160.0			
KST200-35B	KST200-35B-200							70.0			
KST200-40B	KST200-40B-200							142.0			
KST200-52B	KST200-52B-200							155.0			
KST225-2	KST225-2-200	2.250	57.20	1.405	35.70	0.550	14.00	12.0	14.60	1.420	20.700
KST225-6	KST225-6-200							10.0			
KST225-8/90	KST225-8/90-200							42.5			
KST225-18	KST225-18-200							67.0			
KST225-26	KST225-26-200							98.0			
KST225-28	KST225-28-200							28.0			
KST225-33	KST225-33-200							37.0			
KST225-34	KST225-34-200							37.0			
KST225-35	KST225-35-200							37.0			
KST225-40	KST225-40-200							78.0			
KST225-52	KST225-52-200							92.0			

# TOROIDAL CORE

## Magnetic dimensions

Karson Prat No		OD		ID		HT		AL	L	A	V
-125	-200	In/mm		In/mm		In/mm		nH/N <sup>2</sup>	cm	cm <sup>2</sup>	cm <sup>3</sup>
KST225-2B	KST225-2B-200	2.250	57.20	1.405	35.70	1.000	25.40	21.5	14.60	2.590	37.800
KST225-14B	KST225-14B-200							28.0			
KST225-26B	KST225-26B-200							160.0			
KST225-34B	KST225-34B-200							67.0			
KST225-52B	KST225-52B-200							155.0			
KST249-26	KST249-26-200	2.500	63.50	1.405	35.70	1.000	25.40	203.0	15.60	3.360	52.300
KST249-34	KST249-34-200							89.0			
KST249-52	KST249-52-200							203.0			
KST250-8/90	KST250-8/90-200	2.500	63.50	1.250	31.80	1.000	25.40	113.0	15.00	3.840	57.400
KST250-14	KST250-14-200							43.0			
KST250-18	KST250-18-200							177.0			
KST250-26	KST250-26-200							242.0			
KST250-34	KST250-34-200							106.0			
KST250-40	KST250-40-200							194.0			
KST250-52	KST250-52-200							242.0			
KST300-2	KST300-2-200	3.040	77.20	1.930	49.00	0.500	12.70	11.4	19.80	1.680	33.400
KST300-8/90	KST300-8/90-200							37.0			
KST300-18	KST300-18-200							58.0			
KST300-26	KST300-26-200							80.0			
KST300-28	KST300-28-200							23.0			
KST300-33	KST300-33-200							34.5			
KST300-34	KST300-34-200							34.5			
KST300-35	KST300-35-200							34.5			
KST300-40	KST300-40-200							71.0			
KST300-52	KST300-52-200							80.0			
KST300-2D	KST300-2D-200	3.040	77.20	1.930	49.00	1.000	25.40	22.8	19.80	3.380	67.000
KST300-14D	KST300-14D-200							28.0			
KST300-18D	KST300-18D-200							116.0			
KST300-26D	KST300-26D-200							160.0			
KST300-28D	KST300-28D-200							46.0			
KST300-33D	KST300-33D-200							69.0			
KST300-34D	KST300-34D-200							69.0			
KST300-35D	KST300-35D-200							69.0			
KST300-40D	KST300-40D-200							142.0			
KST300-52D	KST300-52D-200							160.0			
KST400-2	KST400-2-200	4.000	102.00	2.250	57.20	0.650	16.50	18.0	25.00	3.460	86.400
KST400-8/90	KST400-8/90-200							60.0			
KST400-18	KST400-18-200							96.0			

# TOROIDAL CORE

## Magnetic dimensions

Karson Prat No		OD		ID		HT		AL	L	A	V
-125	-200	In/mm		In/mm		In/mm		nH/N <sup>2</sup>	cm	cm <sup>2</sup>	cm <sup>3</sup>
KST400-26	KST400-26-200	4.000	102.00	2.250	57.20	0.650	16.50	131.0	25.00	3.460	86.400
KST400-28	KST400-28-200							40.5			
KST400-33	KST400-33-200							55.0			
KST400-34	KST400-34-200							55.0			
KST400-35	KST400-35-200							55.0			
KST400-40	KST400-40-200							115.0			
KST400-52	KST400-52-200							131.0			
KST400-26B	KST400-26B-200	4.000	102.00	2.250	57.20	1.000	25.40	205.0	25.00	5.350	133.000
KST400-2D	KST400-2D-200	4.000	102.00	2.250	57.20	1.300	33.00	36.0	25.00	6.850	171.000
KST400-14D	KST400-14D-200							45.5			
KST400-26D	KST400-26D-200							262.0			
KST400-28D	KST400-28D-200							81.0			
KST400-33D	KST400-33D-200							110.0			
KST400-34D	KST400-34D-200							110.0			
KST400-35D	KST400-35D-200							110.0			
KST400-40D	KST400-40D-200							230.0			